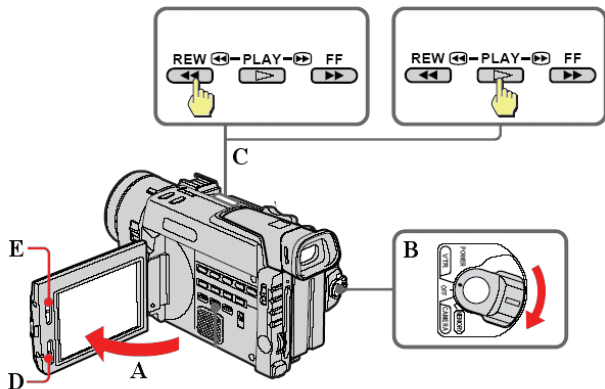


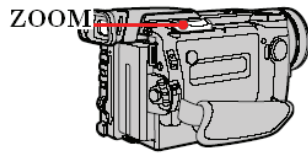
Playback Basics

Playback on Camera

1. Insert a Mini DV tape. (See “Inserting a Mini DV Cassette.”)
2. Open the LCD screen. (A)
3. Set the power switch to “VTR” (B)
4. Use the Play, Rewind, and Fast Forward buttons on the top of the camera to view the tape. (C)
5. Buttons to adjust volume (D) and LCD brightness (E) are located directly next to the LCD screen.

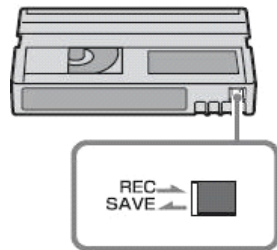
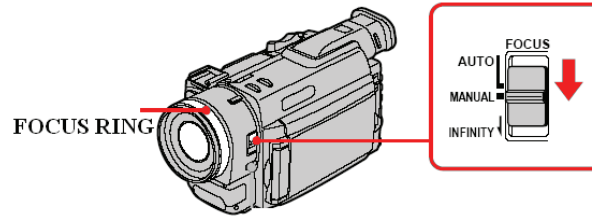


Advanced Tips & Tricks



1. Zoom is controlled by the lever on the top of the hand grip. (picture on left)

2. The “FOCUS” switch on the left of the camera can be set to allow manual control of the focus ring. (picture below)



3. Mini DV tapes can be locked so that you do not accidentally record over them. This feature can be enabled by setting a switch on the back of the tape.

Mini DV tape not supplied with camcorder.

Center for Teaching, Learning, and Technology

1021 Dulaney Valley Road
Baltimore, Maryland 21204
Phone: 410-337-6066
E-mail: ctlt@goucher.edu

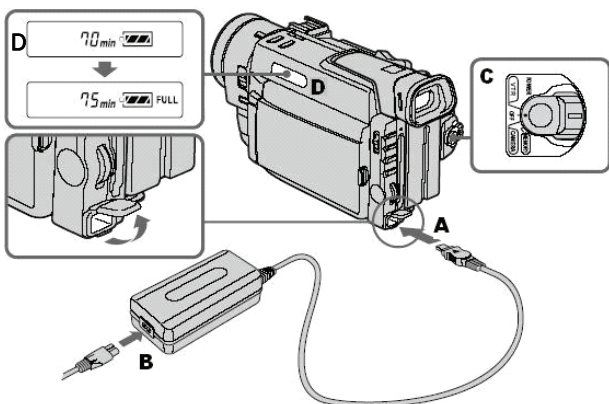
SONY Handycam Vision DCR-TRV900 Basics



Recording Basics

Charging the Battery Pack

1. Open the “DC IN” jack cover and connect the AC power adapter to the “DC IN” jack with the plug’s triangle pointing up. (A)
2. Connect the other end of the cable to the AC adapter and then plug it into the wall. (B)



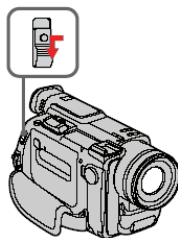
3. Set power switch to “OFF.” (C)
4. The remaining battery time is indicated in minutes on the display window. (D)

Using the AC Power Adaptor

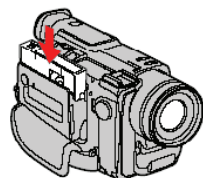
1. Connect the power cord as you would to charge the battery. If the battery pack is attached it will not lose charge during camera operation.

Inserting a Mini DV Cassette

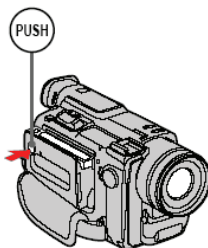
1. Slide the “OPEN/EJECT” lever in the direction of the arrow. The cassette compartment automatically opens.



2. Insert a cassette with the window side facing out.

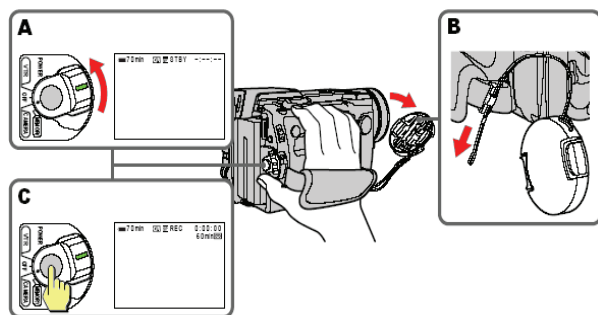


3. Gently close the metal door by pressing the “PUSH” mark.



Start Recording

1. Insert a Mini DV tape.
2. Press the small green power switch and slide it to “CAMERA.” (A)
3. Remove the lens cap! (B)
4. Press red “START/STOP” button to begin recording and press again to finish. (C)



Changing the Tape Speed

1. Press the “MENU” button located on the left of the camera.
2. Use the control dial on the back of the camera to maneuver to the menu. (Turn the dial to scroll and press to select.)
3. Select either SP (standard play) or LP (long play).
4. LP mode allows you to record 1.5 times longer than in SP mode.

